

Slope = $\leq 1^\circ$
 All measures are approx!
 Alterations reserved!
 working cage 350 kg rated load

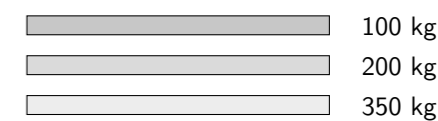
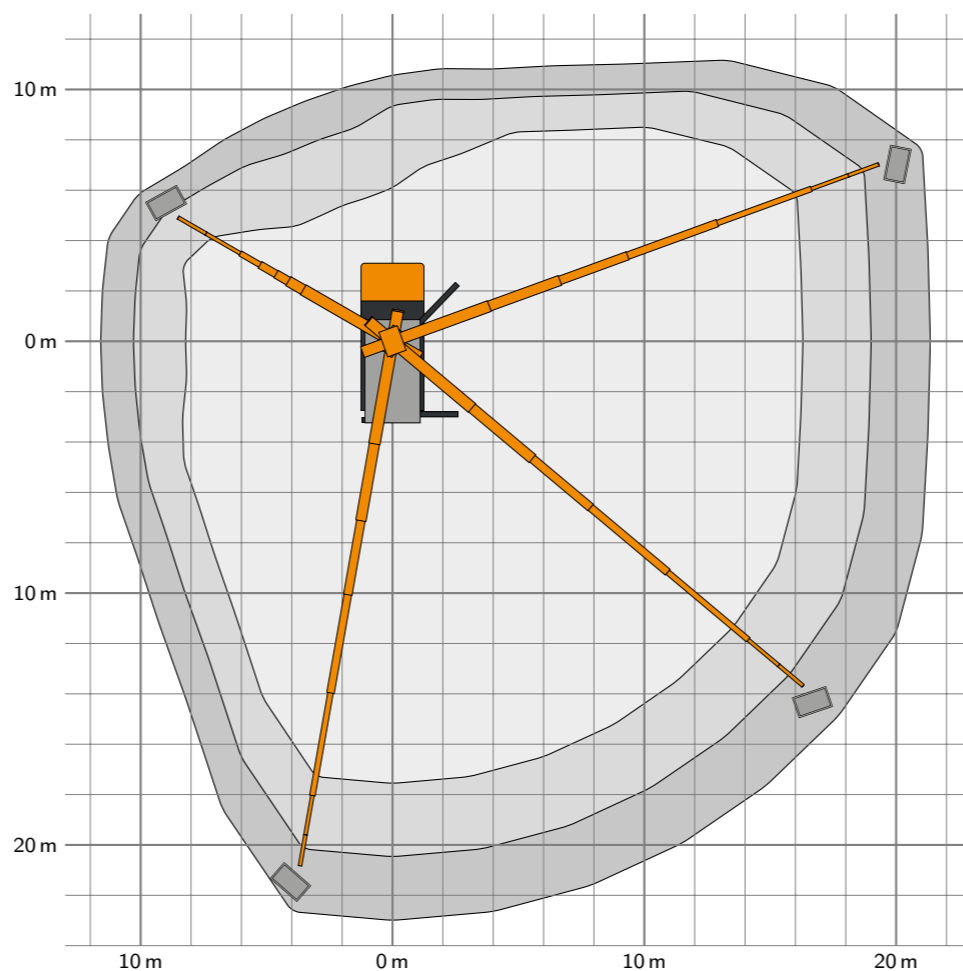
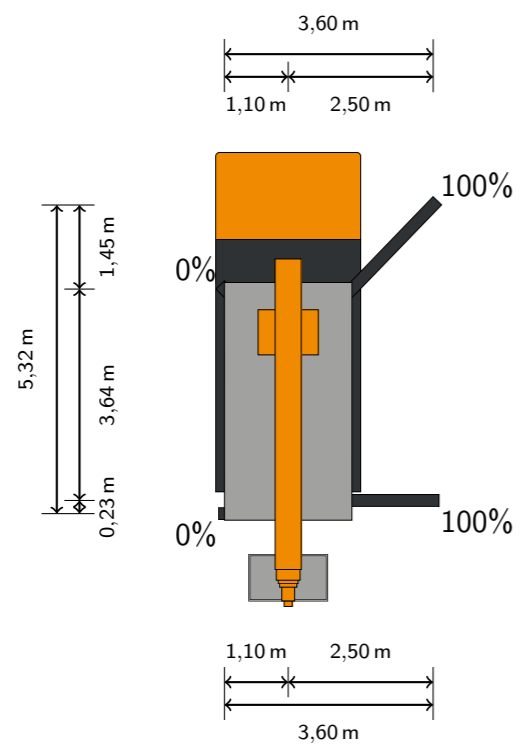
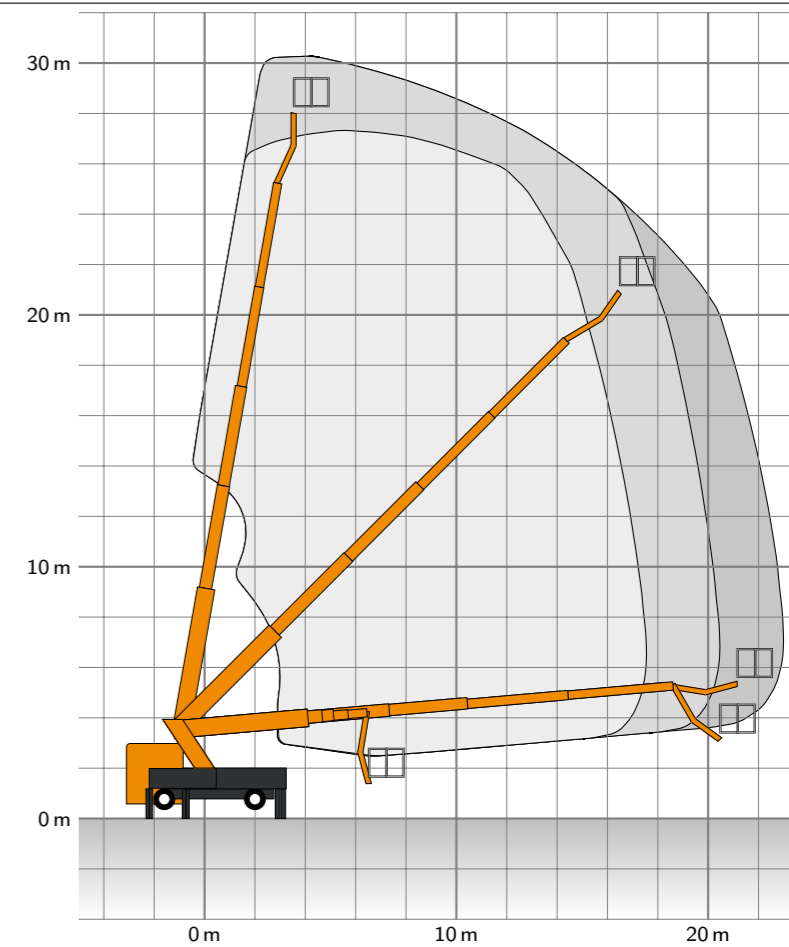
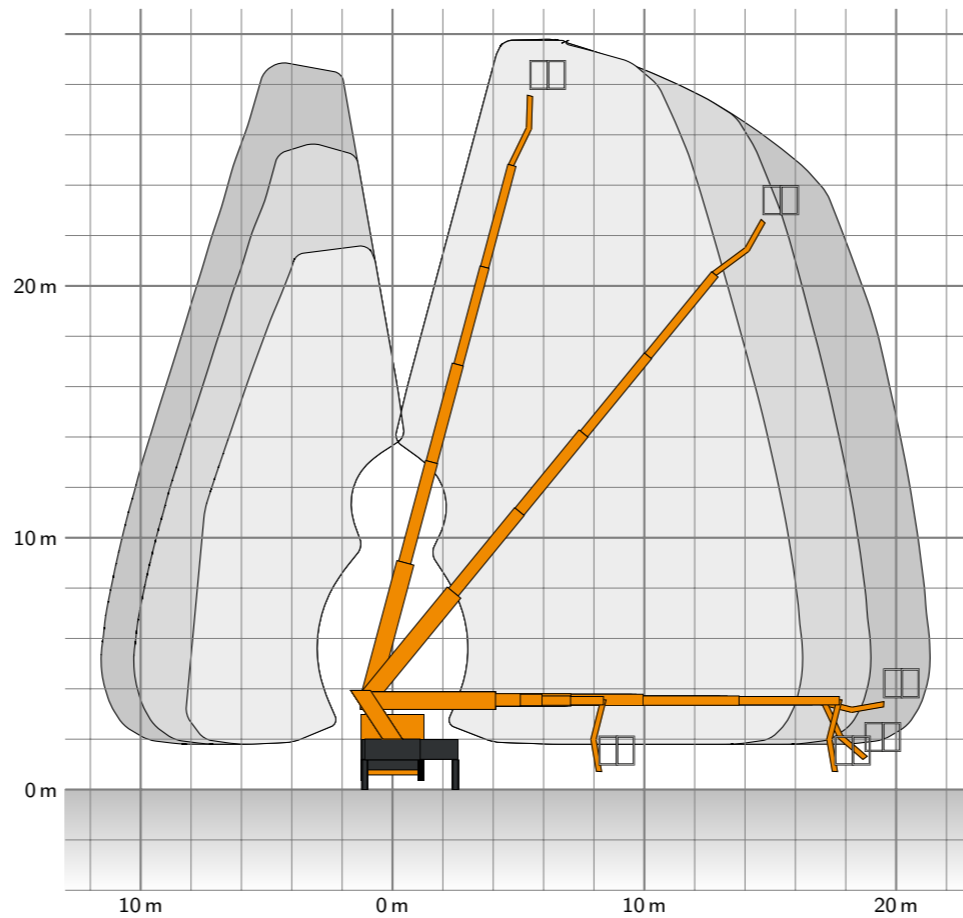
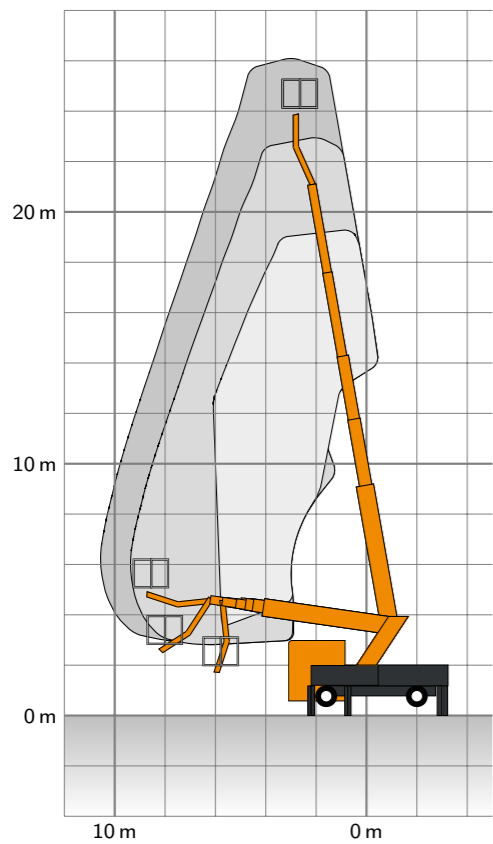
Drawing Number **0928586000**

Description **Working area (theoretical)**
RUTHMANNSTEIGER® T 300.4

Ruthmann GmbH & Co. KG
 Ruthmannstr. 4
 48712 Gescher
 Germany

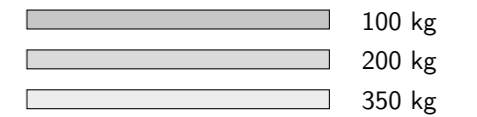
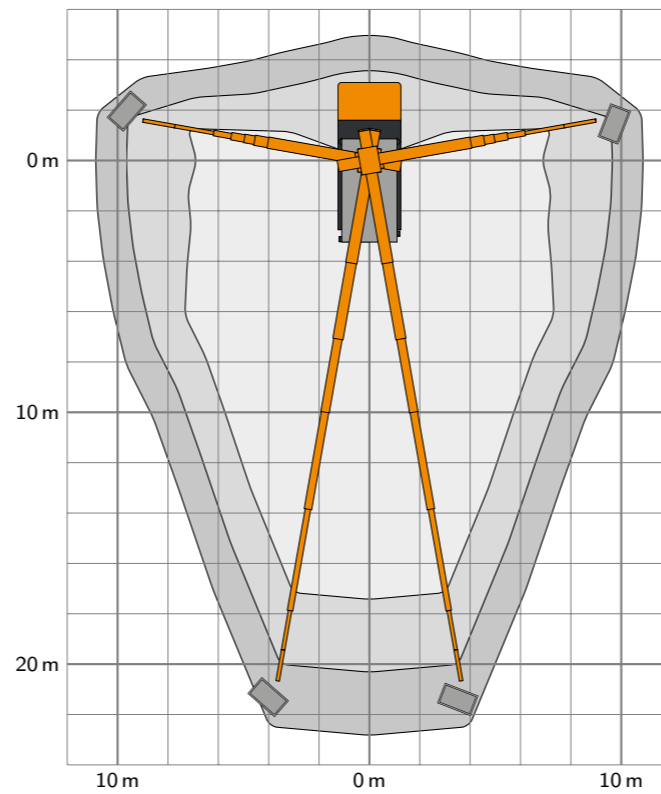
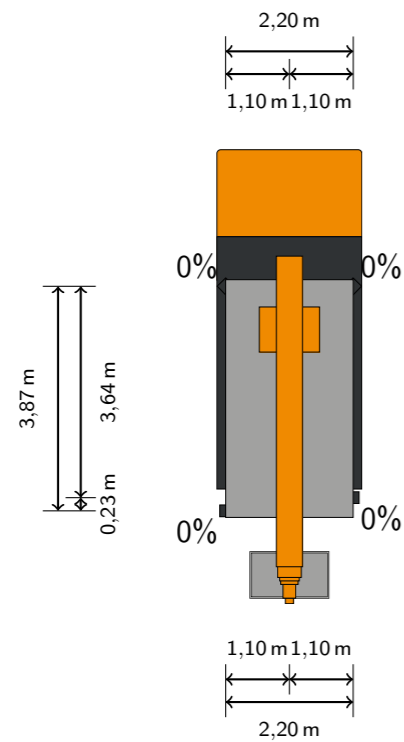
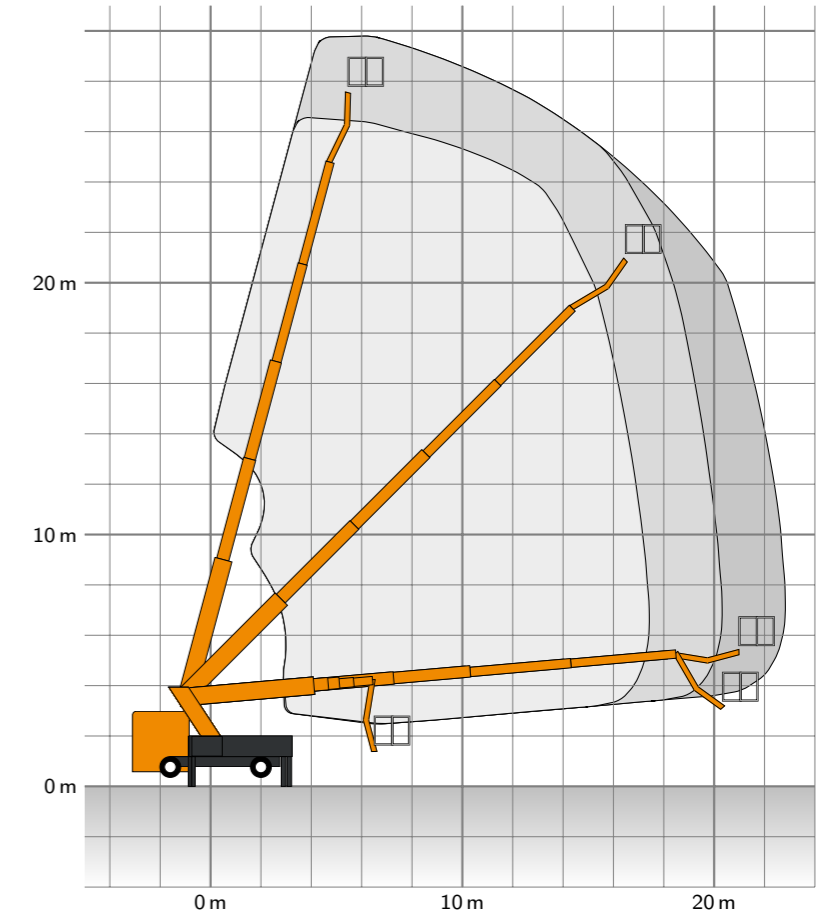
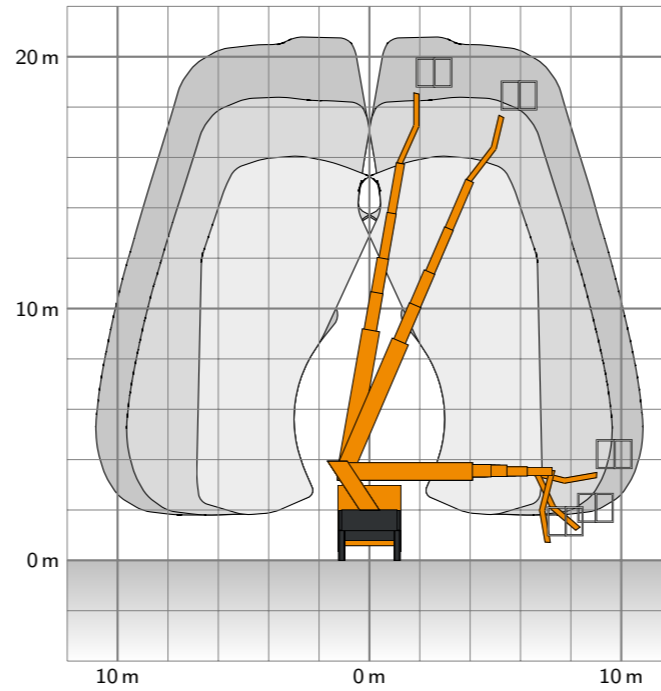
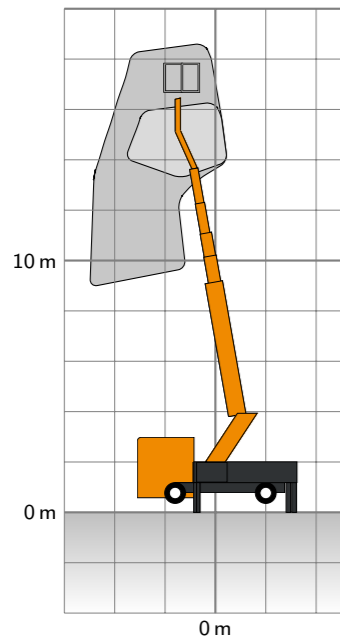


Date: 10th February 2021 Format: A3 Sheet 1 of 3 No. Sheets 3 TKM-mu



Slope =<1° All measures are approx! Alterations reserved!	
working cage 350 kg rated load	
Drawing Number 0928586000	
Description Working area (theoretical) RUTHMANNSTEIGER® T 300.4	Scale 1:300
Ruthmann Gmbh & Co. KG Ruthmannstr. 4 48712 Gescher Germany	Sheet 2 No. Sheets 3
Date: 10th February 2021	Format: A3 TKM-mu





Slope = $\leq 1^\circ$		
All measures are approx!		
Alterations reserved!		
working cage 350 kg rated load		
Drawing Number		0928586000
Description		Scale
Working area (theoretical)		1:300
RUTHMANNSTEIGER® T 300.4		
Ruthmann Gmbh & Co. KG Ruthmannstr. 4 48712 Gescher Germany		Sheet 3
		No. Sheets 3
Date: 10th February 2021	Format: A3	TKM-mu